



## HS-Differential Pressure Transmitter



The HS-Differential Pressure Transmitter (HS-DPT) detects the differential, positive and negative pressure between the two pressure inputs and converts the measured value into a linear or square-root output signal of 0(4)...20 mA or 0...10 V. In this way, an statement can be made about the degree of loading of filters and transmitted, for example, to a control system or control station. The converter is offered in three variants (see below).

Thanks to ATEX approval, use in dust-laden and potentially explosive environments is possible without any problems.

### Technical data

Size	113x80x60 (W x H x D)	[mm]
Weight	ca. 0,5	[kg]
Power supply	DC 24	[V]
Measuring range	-10 bis 10	[mbar]
Analog output	0(4)bis 20 mA, 0 bis 10 V	
Druckanschluss	Schott-Steckverschraubungen für 6 mm Schlauch-Außendurchmesser	
Pressure connector	1 × M 16 × 1,5 N für Kabeldurchmesser von 4 bis 8 mm	
Temperature	-20°C bis 55°C (in Ex Zone - 20°C bis 40°C)	
Certificates	EX II 3D EX tc IIIC T135°C Dc (Zone 22), CE	
Electric protection class	IP 65	

The HS-DPT can be purchased as an optional equipment feature for all HS-Filter Housings or purchased individually to upgrade equipment already installed.

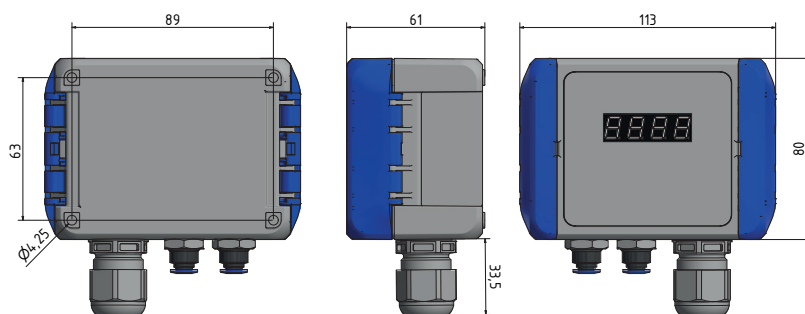
### Measurement according to DIN 1946-4 and VDI 3803

According to DIN 1946-4 and VDI 3803, ventilation and air-conditioning systems must be equipped with differential pressure manometers without sealing liquid. The measured value must be displayed locally and the limit value must be visible. This is the only way to ensure that air filters are maintained by the operator in accordance with regulations..

Depending on requirements and application, the HS-DPT is available with further features available in the following variants:

Range of functions per type:	LITE	BASIC	PREMIUM
4-digit differential pressure display	-	✓	✓
LED limit value message	-	-	✓
Limit value contact (drop-out and pick-up delayed)	-	-	✓
Tastenbedienung	-	-	✓
ATEX-Zulassung	Zone 2 + 22	Zone 22	Zone 22

ÜBeyond the standard measuring range of  $\pm 10$  mbar, optional variants with  $\pm 25$  mbar,  $\pm 50$  mbar and  $\pm 100$  mbar are available.



documents might be subject to change / issue May 2019