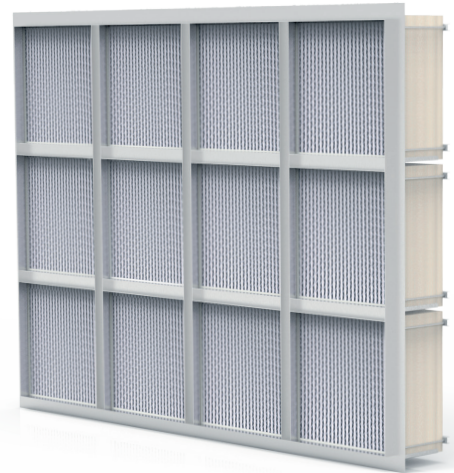


HS-S045 – HEPA Wall Filter System



For stabile placement at a wall the unit consists of a durable frame, which is made of gas-tightly welded aluminium sections. The outer angle sections form a surrounding mounting frame with a broad contact surface for easy and tight installation onto the wall. This wall filter also features aluminium supporting angles as well as a spindle-type tightening device made out of chromium-plated parts, which guarantee exact fit and leak-proofness between filter cells and the frames' contact area.



For filter sizes: 610x610x292 mm, 610x610x150 mm, 610x610x78 mm

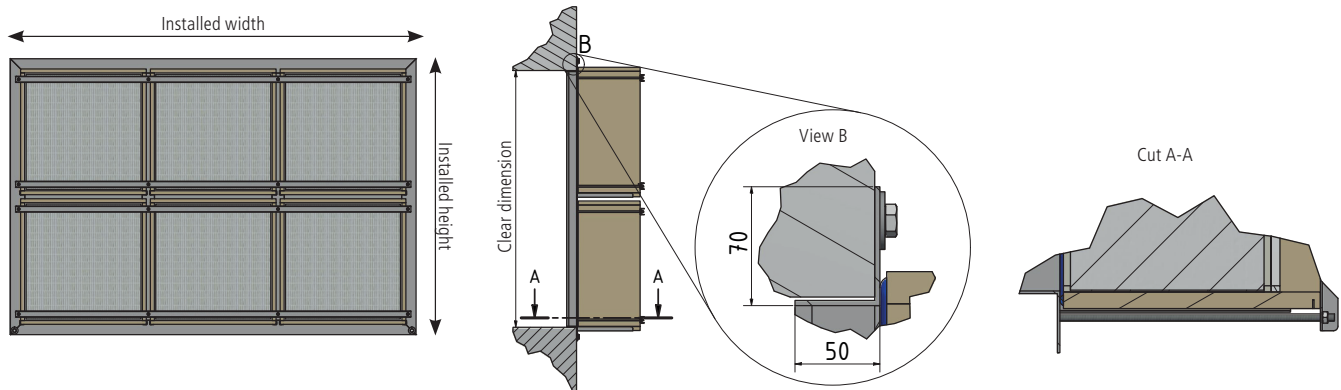
Abmessungen		Width [mm]	710	1340	1970	2600	3230	3860	
clear		Clear Width [mm]	600	1210	1840	2470	3100	3730	
Height [mm]	Height [mm]	Filters on top of each other	Filters - beside to each other						
			1	2	3	4	5	6	
710	600	1	Filter qty.:	1	2	3	4	5	6
			Weight [kg]:	5	8	11	14	16	19
1340	1210	2	Filter qty.:	2	4	6	8	10	12
			Weight [kg]:	8	13	18	23	28	33
1970	1840	3	Filter qty.:	3	6	9	12	15	18
			Weight [kg]:	11	18	25	32	39	46
2600	2470	4	Filter qty.:	4	8	12	16	20	24
			Weight [kg]:	11	23	32	41	50	65
3230	3100	5	Filter qty.:	5	10	15	20		
			Weight [kg]:	16	28	40	50		
3860	3730	6	Filter qty.:	6	12	18	24		
			Weight [kg]:	20	33	46	65		

Please ask for other desired dimensions and designs.

Installable filtertypes		Filterproperties
Compact filters:	HS-Beta Pak	M6 to F9
	HS-Beta Pak Yellow	(EN 779)
	HS-Makro (also EX)	
	HS-Makro F	ISO ePM 10 to ISO ePM1
	HS-Makro FV	(ISO 16890)
HEPA Filters:	HS-Mikro S (also EX)	E10 to H14
	HS-Mikro SF	(EN 1822)
	HS-Mikro SFV	
Molecular filters:	HS-Carbo Block	adsorption of molecular and gaseous air impurities (VOC's, odours, haz-mat.)
	HS-A053	
	HS-A055	

Form of delivery ■ complete filterwall or as as easy to assemble single components

Options ■ frame alloy: aluminium, stainless steel
 ■ leak test pipe for gasket bypass test



documents might be subject to change / issue Sept. 2021