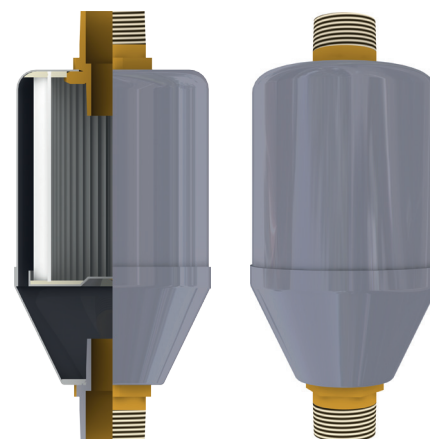
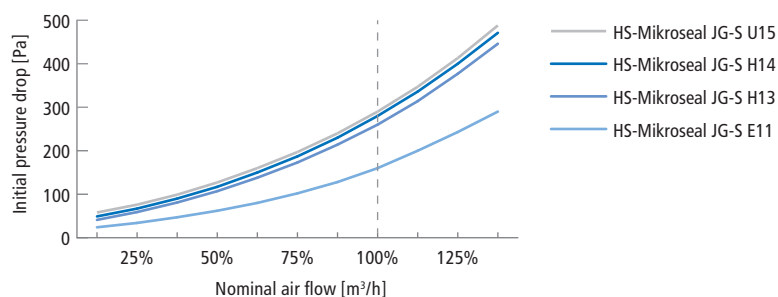


# Cartridge Filter –HS-Mikro Seal JG-S

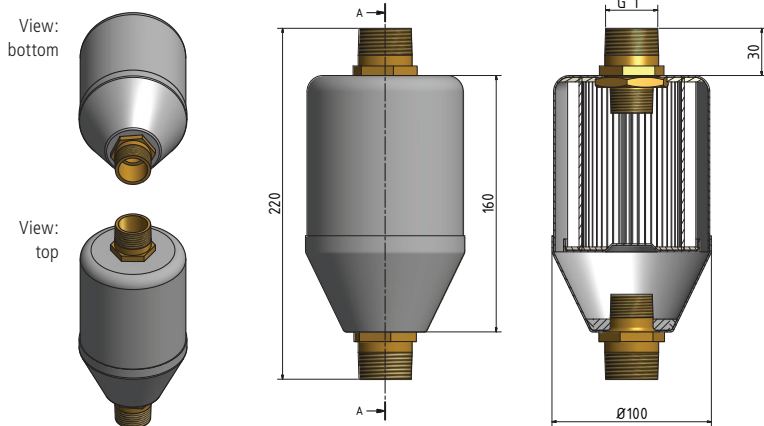
The HS-Mikro Seal JG-S filter cartridge is designed for the removal of airborne particles such as viruses, bacteria and toxic, pathogenic or radioactive dusts. HS-Mikro Seal JG-S can be applied anywhere in systems where small form factors are required at moderate volume flows. The filter cartridge does not require a separate housing and can host on/in the usual pipes and tanks. The standardized 1"-thread connector allows fast and simple fixation. The filtermedia is protected by a corrosion resistant stainless steel frame and thereby protected from external influences. The corpus is gastight sealed and allows operation within pressurized ductworks up to +- 300 mbar. Among the numerous applications, these filters essentially serve as pressure relief filters at security relevant filter housings (eg HS-S041, HS-Securesorb) or to have controlled air exchange with pipes and tanks. All HS-Mikro Seal JG-S cartridges are tested according to EN1822.



Type:	HS-Mikro Seal JG-S			
Class EN 1822	E11	H13	H14	U15
Efficiency EN 1822 @ MPPS [%]	> 95 %	> 99,95 %	> 99,995 %	>99,9995 %
Nominal air flow [m³/h]	22	22	22	15
Initial-ΔP [Pa] at nominal air flow	160	260	280	290
Recc. final-ΔP [Pa]	3 x initial pressure drop max. 1000 Pa			
Max. temp. [°C]	65°	65°	65°	65°



Frame	<ul style="list-style-type: none"> <li>Gehäuse: Edelstahl 1.4301</li> <li>Gewinde: 1" aus Messing</li> </ul>
Operational conditions	<ul style="list-style-type: none"> <li>max. rel.h. 100 [%]</li> <li>max. temp. 65 [°C]</li> <li>short peak temp. max. 80 [°C]</li> <li>over-/underpressure: ±300 mbar</li> </ul>
Spacers	thermoplastic (miniplate)
Filtermedia	<ul style="list-style-type: none"> <li>high efficient glass fibre paper (water repellent, moisture resistant)</li> <li>optional: ePTFE-membrane</li> </ul>
Combustible	No



The filter supports bidirectional air flow.