

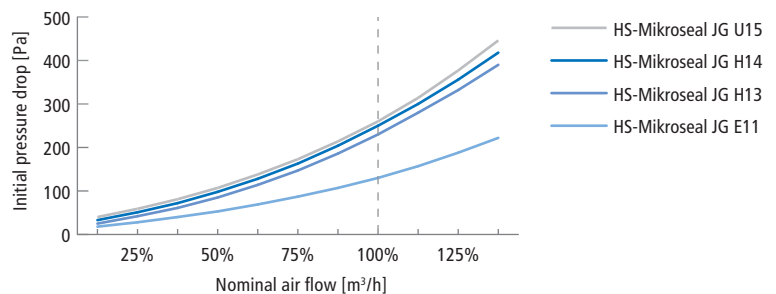
Cartridge Filter – HS-Mikroseal JG



The HS-Mikroseal JG filter cartridge is designed for the removal of airborne particles such as viruses, bacteria and toxic, pathogenic or radioactive dusts. HS-Mikroseal JG can be applied anywhere in systems where small form factors are required at moderate volume flows. The filter cartridge does not require a separate housing and can host on/in the usual pipes and tanks. The standardized 1"-thread connector allows fast and simple fixation.

The filter medium is protected against environmental influences by a corrosion-resistant stainless steel frame. Among the numerous applications, these filters essentially serve as pressure relief filters at security relevant filter housings (eg HS-S041, HS-Securesorb) or to have controlled air exchange at in pipes and tanks. All HS-Mikroseal JG cartridges are tested according to EN1822.

Type:	HS-Mikroseal JG			
Class EN 1822	E11	H13	H14	U15
Efficiency EN 1822 @ MPPS [%]	> 95 %	> 99,95 %	> 99,995 %	>99,9995 %
Nominal air flow [m³/h]	22	22	22	15
Initial-ΔP [Pa] at nominal air flow	130	230	250	260
Recc. final-ΔP [Pa]	3 x initial pressure drop max. 1000 Pa			
Max. temp. [°C]	65°	65°	65°	65°



Frame

- frame: stainless 1.4301 / AISI 304
- thread: 1" made from brass

Operational conditions

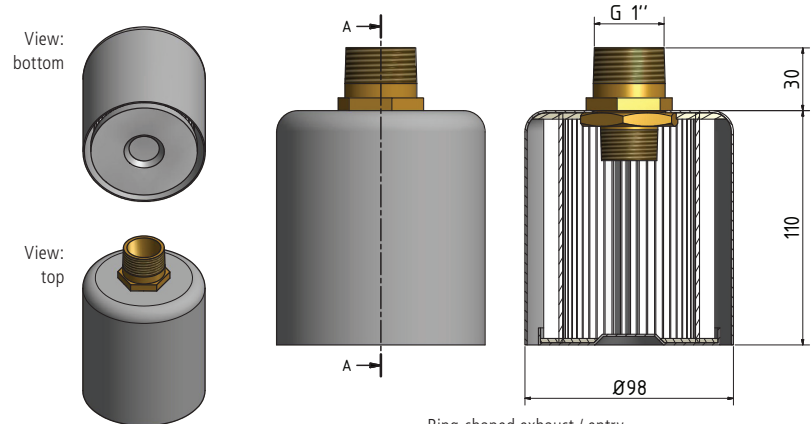
- max. rel. h. 100 [%]
- max. temp. bis 65 [°C]
- short peak temp. max. 80 [°C]

Spacers thermoplastic (minipleat)

Filtermedia

- high efficient glass fibre paper (water repellent, moisture resistant)
- optional: ePTFE-membrane

Combustible No



Ring-shaped exhaust / entry.
The filter supports bidirectional air flow.